

series 110

SUB-MINIATURE SOLID STATE THERMOSTAT

ZYTRON

The Series 110 Solid State Thermostat is a highly reliable state-of-the-art electronic control capable of providing the tight temperature control usually associated with much more costly controllers. The Series 110 features a non-isolated circuit which utilizes a low cost thermistor sensor. The absence of a transformer allows an extremely compact design which measures only 2.5"L x 1.9"W x 1"H.

HIGHLIGHTS

- low cost
- sub-miniature size
- convenient one screw mounting
- up to 12 AMPS 230VAC resistive load
- proportioning control for maximum stability
- setpoint ranges between 70° and 500°F
- full two-year parts & labor warranty

FEATURES

- 115VAC input voltage
- Proportioning control mode
- Zero voltage switching TRIAC output
- Thermistor sensing
- Non-isolated (transformerless) design
- Very small size

OPTIONS

- Input voltages between 24VAC and 230VAC
- Remote or local setpoint pot
- Custom setpoint ranges

PRODUCT applications

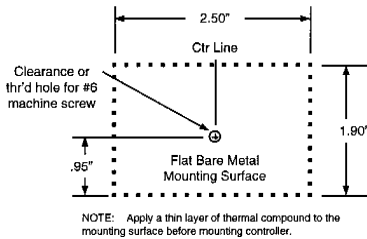
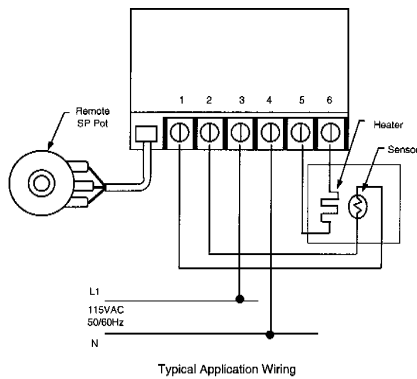
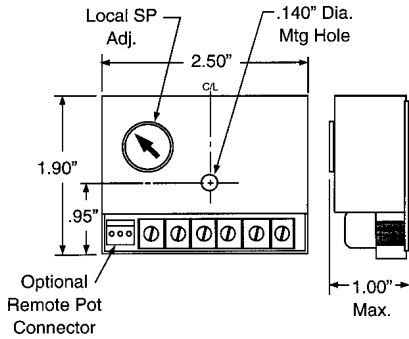
- Film Processors
- Process Instrumentation
- Incubators
- Laboratory Baths & Ovens
- Biomedical Equipment
- Dryers
- Air Heaters
- Hot Plates



series 110

SUB-MINIATURE SOLID STATE THERMOSTAT

specifications



CAUTION

THIS CONTROLLER IS NOT ISOLATED FROM THE POWER LINE. PROPER PRECAUTIONS MUST BE TAKEN TO AVOID ELECTRICAL SHOCK SUCH AS GROUNDING ALL EXPOSED DEAD METAL INCLUDING THE CONTROLLER BASE PLATE, SENSOR SHEATH AND REMOTE SETPOINT POT HOUSING & BUSHING.

- Power Input:** 115VAC +/-15%, 50/60Hz, 1W no load, Voltages 24VAC & 230VAC optional
- Control Output:** Zero Voltage Switching Triac
- Load Rating:** Up to 12Amps resistive at the input voltage
* actual load rating depends on available heatsinking and ambient temperature conditions.
- Control Mode:** Time proportioning with BW of 1.5% of SP span and 2 second cycle rate typical
- Control Action:** Heating (Close-on-Rise)
- Sensor Type:** NTC Thermistor
* value dependent on setpoint range
- Setpoint Range:** Overlapping ranges from 70°F to 500°F can be accommodated
- Stability:** +/-0.1°F typical in a properly designed thermal system at constant ambient temperature and line voltage
- Amb. Operating Temperature:** 0°C to 50°C (32°F to 130°F)

ordering information

MODEL 110 - 2 A 4 - 1 - TH31

SERIES 110

SETPOINT ADJ.

- 1 Remote
- 2 Local

CONTROL MODE

- A Time Proportioning

INPUT VOLTAGE

- TH31 60F to 160F
- TH32 100F to 250F
- TH33 250F to 500F

LINE VOLTAGE

OUTPUT RATING

- 3 5 Amp Max.
- 4 12 Amp Max.

ZYTRON

20 LEXINGTON AVENUE, TRENTON, NJ 08618
TEL 609 771 0101 FAX 609 771 0020

© 2000-2001 Zytron Control Products, Inc. All Rights Reserved.