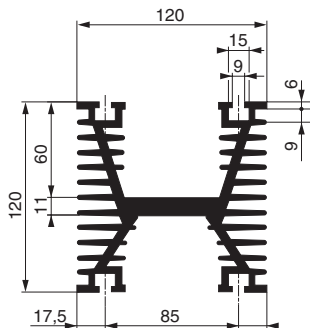


# Accessories for solid state relays

## Heatsinks

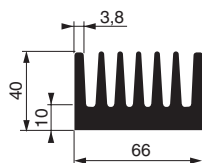
Part numbers

1



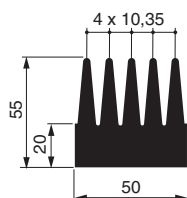
	Range	Thermal resistance	Length	Weight	
1 phase	G, GA5, GT, GF,	0.6° C/W	L = 100 mm	950 g	26 532 790
	GN	1° C/W	L = 60 mm	570 g	26 532 759

Material: black anodised aluminium



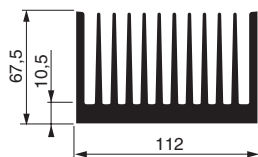
	Range	Thermal resistance	Length	Weight	
1 phase	G, GA5, GT, GF, GN	2° C/W	L = 70 mm	260 g	26 532 760

Material: black anodised aluminium



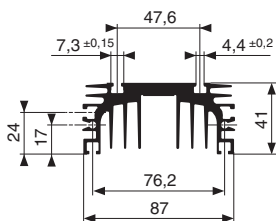
	Range	Thermal resistance	Length	Weight	
1 phase	G, GA5, GT, GF, GN	3° C/W	L = 58 mm	250 g	26 532 761

Material: black anodised aluminium



	Range	Thermal resistance	Length	Weight	
3 phases or 2 x 1 phase	2 x G, GA5, GT, GF, 1 x GA0, GA3, GN	0.7° C/W	L = 75 mm	655 g	26 532 762

Material: black anodised aluminium



	Range	Thermal resistance	Length	Weight	
1 phase	G, GA5, GT, GF, GN	2° C/W	L = 50 mm	150 g	26 532 758

Material: black anodised aluminium