

GA three-phase

→ GA3 three-phase

- For controlling three-phase loads
- Rating 10, 25, 45 A
- Output voltages to 660 Vrms
- Control voltage 4-32 V = or 90-280 V AC
- Peak voltage : 1200 V
- Back-to-back SCR output
- Input to output insulation voltage : 4000 Vrms
- Protected against overvoltages by RC filter and overvoltage limiter
- Zero voltage or instantaneous switching



Specifications

Type	Current	Input voltage	Switching	Code
Range GA3	10 A	4 - 32 V DC	Instantaneous	84 028 251
		4 - 32 V DC	Zero voltage	84 068 251
		4 - 32 V DC	Instantaneous	84 028 451
	25 A	90 - 280 V AC	Instantaneous	84 028 453
		4 - 32 V DC	Zero voltage	84 068 451
		90 - 280 V AC	Zero voltage	84 068 453
	45 A	4 - 32 V DC	Instantaneous	84 028 651
		90 - 280 V AC	Instantaneous	84 028 653
		4 - 32 V DC	Zero voltage	84 068 651
		90 - 280 V AC	Zero voltage	84 068 653

Accessories

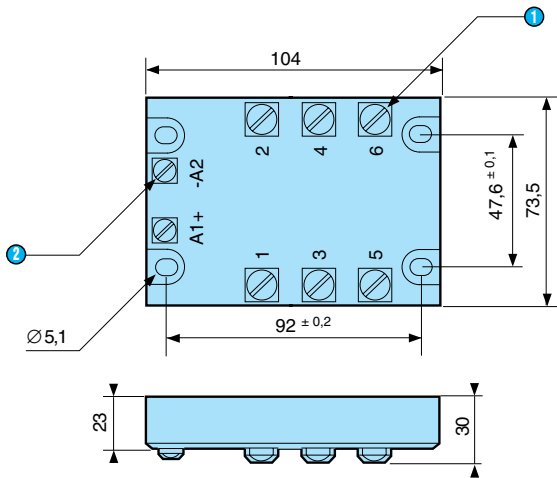
	Code
Heatsink	26 532 762
DIN rail heatsinks	26 532 764
Heat transfer compound	18 373 112
Protective cover	26 532 796

General characteristics

Output characteristics	
Voltage range V (rms) max	24-660
Peak voltage (1 min) V(peak)	1200
Minimum current mA(rms)	200
Max. 1-cycle surge A(peak)	10A : 160 25A : 270 45A : 450
Leakage current (mAeff)	10
I t (t = 10 ms) (A²s)	10A : 128 25A : 365 45A : 1000
On-state voltage drop at I _{max} and T = 25 °C V(peak)	1.6
Thermal resistance Junction to casing (°C / W)	10A : 0.25 25A : 0.25 45A : 0.2
Frequency (Hz)	47 → 63
Static (off-state) dv/dt (V/μs)	500
Response time (close) (ms)	10 ms max. (3-32 VDC) 20 ms max. (90-280 VAC)
Response time (open) (ms)	10 ms max. (3-32 VDC) 30 ms max. (90-280 VAC)
Inputs specifications	
Max input current (mA)	10 (90-280 AC) 20 (4-32 DC)
Turn-off voltage (V)	10 AC (90-280 AC) 1 DC (4-32 DC)
Nominal resistance (kΩ)	1
Characteristics	
Operating temperature (°C)	-20 → +80
Storage temperature (°C)	-40 to +100
Input to output insulation voltage V(rms)	4000
Breakdown voltage (T=25°C, 1 s) V(rms)	4000
Input/output capacitance (pF)	< 8
Insulation resistance	10 ⁴
Material housing	Self-extinguishing
Material baseplate	aluminium
Weight (g)	450

To order, see page 6

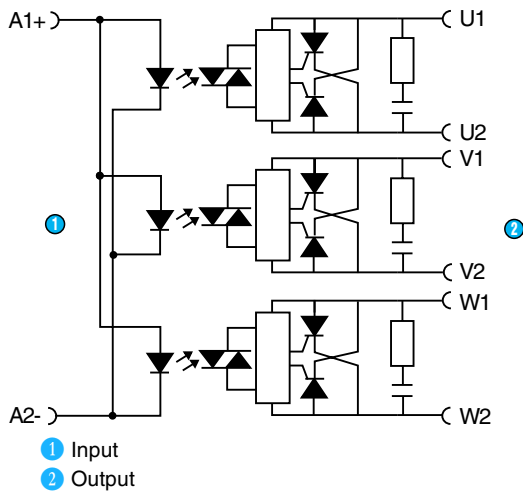
Dimensions



- 1 6 M4 screws
- 2 2 M3.5 screws

Connections

Equivalent circuits

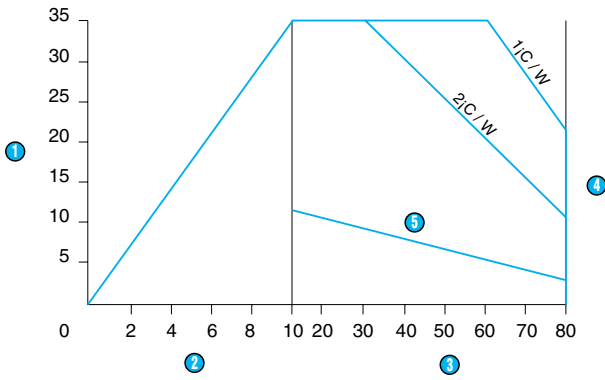


- 1 Input
- 2 Output

5

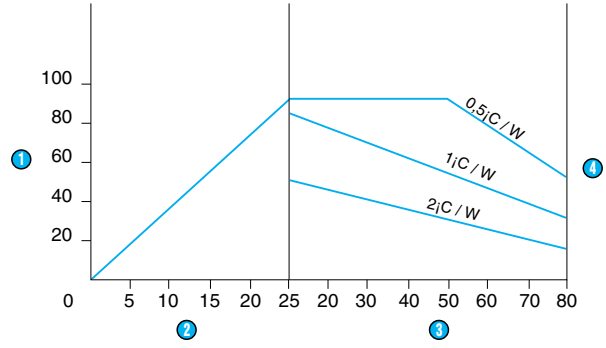
Curves

GA3 range - 10 A



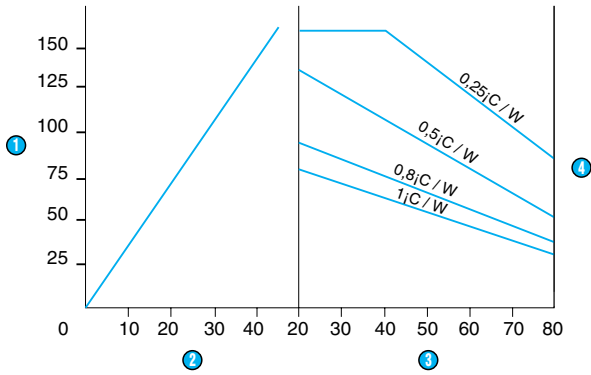
- ① Dissipated power (W)
- ② On-state current (A)
- ③ Ambient temperature (°C)
- ④ Baseplate temperature (°C)
- ⑤ No heatsink

GA3 range - 25 A



- ① Dissipated power (W)
- ② On-state current (A)
- ③ Ambient temperature (°C)
- ④ Baseplate temperature (°C)

GA3 range - 45 A



- ① Dissipated power (W)
- ② On-state current (A)
- ③ Ambient temperature (°C)
- ④ Baseplate temperature (°C)

