



LC SERIES, LIQUID LEVEL CONTROLS					
MODEL NUMBER	PROBE LENGTH In./ (mm)	NO. OF PROBES	REPL. PROBES	REPL. BOARD ONLY	SHIP WGT. Lbs./ (kg)
LC2(*)6	6 (155)	2	2(*)6	LC	3 (1.5)
LC2(*)12	12 (305)	2	2(*)12	LC	3 (1.5)
LC2(*)18	18 (460)	2	2(*)18	LC	4 (2)
LC2(*)24	24 (610)	2	2(*)24	LC	4 (2)
LC2(*)30	30 (760)	2	2(*)30	LC	5 (2.5)
LC2(*)36	36 (915)	2	2(*)36	LC	5 (2.5)
LC2(*)48	48 (1220)	2	2(*)48	LC	6 (3)
LC3(*)6	6 (155)	3	3(*)6	LC	3 (1.5)
LC3(*)12	12 (305)	3	3(*)12	LC	3 (1.5)
LC3(*)18	18 (460)	3	3(*)18	LC	4 (2)
LC3(*)24	24 (610)	3	3(*)24	LC	4 (2)
LC3(*)30	30 (760)	3	3(*)30	LC	5 (2.5)
LC3(*)36	36 (915)	3	3(*)36	LC	5 (2.5)
LC3(*)48	48 (1220)	3	3(*)48	LC	6 (3)

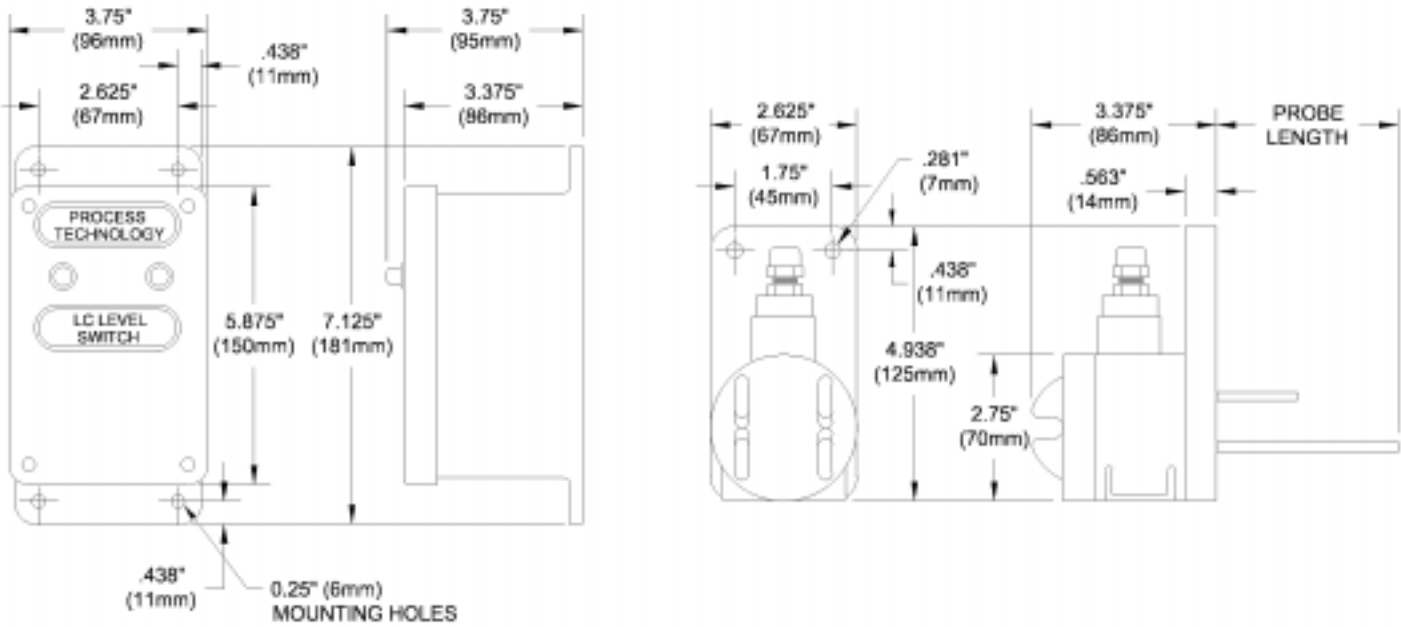
Specify probe material:

S = STAINLESS STEEL H = HASTELLOY C®
 T = TITANIUM G = GRAPHITE-TIPPED
 FLUOROPOLYMER (PTFE) COVERED STANDARD

Product Features and Benefits:

- ◆ **IMPROVES PROCESS CONTROL:**
 - Provides automated control and consistent liquid levels in most conductive aqueous processes, waste treatment tanks and when leak detection is required.
 - Adds protection against fires and tank damage associated with low-level conditions.
 - Dual probe units (LC2): for single point control.
 - Multi probe units (LC3): for two-point control and refill/pump down applications.
 - ◆ **CORROSION RESISTANT PROBES:**
 - Fluoropolymer (PTFE) covered: 316 stainless steel, titanium, Hastelloy C® and graphite tipped Hastelloy probe materials.
 - Lengths: up to 48-inches (1220mm) standard.
 - Field trimmable (except graphite probes).
 - ◆ **CORROSION RESISTANT ENCLOSURES:**
 - Control enclosure: gasketed NEMA 4/4X (indoor), IP66, polypropylene box with stainless steel hardware.
 - Probe enclosure: vapor tight, polypropylene head with 10-foot (3m) flexible lead and quick connect plug for easy connection to remote circuitry.
 - ◆ **CERTIFICATIONS:** cUL and CE.
 - ◆ **CAPACITIES:**
 - Relay rating: 10-amps at 120/208 to 240 volts, 50/60 Hz, single pole, double throw.
 - Sensing output: 14.5 VAC.
 - Ambient temperature range: 0° F (-18° C) to 104° F (40° C).
 - Maximum solution resistance: 70,000 ohm-CM.
 - Single phase only.
 - ◆ **SAFETY FEATURES:**
 - Ground connection on circuit board.
 - Minimal AC sensing current has no affect on plating processes.
 - ◆ **OPTIONS AVAILABLE (consult factory):**
 - Probe lengths up to 20-foot (6m).
 - Can be pre-wired into combination controls.
 - Fluid stilling chambers.
 - Thermal wells built into probe enclosure.
 - Longer flexible cords.
 - Cord extensions for existing units.
 - 4, 5 or 6-probe devices for multiple level control applications.
- NOTE:** Do not use in flammable solutions. Not for use in deionized water, oil or other non-conductive solutions.

DIMENSIONS



CONDUCTIVITY TYPE LEVEL CONTROL ORDERING INFORMATION

Series	Number of Probes	Probe Material	Probe Length
LC	2 3 up to six probes available	S = 316 Stainless Steel T = Titanium H = Hastelloy C® G = Graphite (not field trimmable)	6 = 6" 12 = 12" 18 = 18" 24 = 24" 30 = 30" 36 = 36" 48 = 48" (custom lengths available)

Hastelloy C® is a registered trademark of Haynes International, Inc.

ORDERING EXAMPLE:

LC3T36

Level control, 3 probe, titanium, 36" probe.

**PROCESS
TECHNOLOGY**