



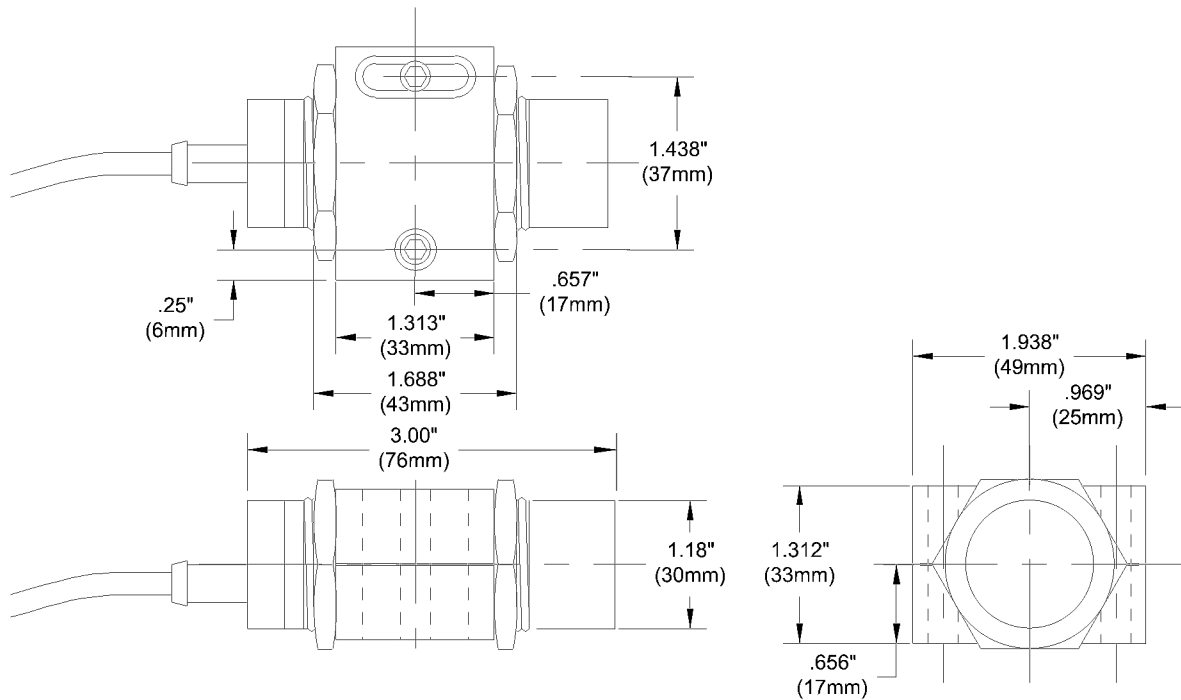
| ESP SERIES, LIQUID LEVEL CONTROLS |            |                  |           |           |               |                         |                   |
|-----------------------------------|------------|------------------|-----------|-----------|---------------|-------------------------|-------------------|
| MODEL NUMBER                      | VOLTS      | CONTACTS         | MIN. LOAD | MAX. LOAD | MAX AMB. TEMP | SENSING RANGE           | SHIP WGT. Lbs./Kg |
| ESP                               | 90/265 VAC | Field selectable | 10 mA     | 500 mA    | 176°F<br>80°C | .12 to .98"<br>(3-25mm) | 1<br>(.5)         |
|                                   | 45-65 Hz   | N/O-N/C          |           |           |               |                         |                   |

Monitors liquid level from outside of plastic or non-metallic tanks.

## Product Features and Benefits:

- ◆ **IMPROVES PROCESS CONTROL:**
  - Provides automated control and consistent liquid levels for most aqueous processes and waste treatment tanks or when leak detection is required.
  - Adds protection against fires and tank damage associated with low-level conditions.
  - ESP model: mounts on the outside of plastic tanks and senses up to .984 inches (25mm) so no direct immersion is required.
  - ESPV model: for direct immersion applications (vertically mounted).
- ◆ **CORROSION RESISTANT ENCLOSURE:**
  - ESP model: housed in a plastic, epoxy encapsulated enclosure with 6-foot (1.8m) flexible cord and mounting flange.
  - ESPV model: vapor tight, polypropylene probe enclosure with 3-foot (.9m) flexible PVC conduit.
- ◆ **CERTIFICATIONS:** UL, CSA, and CE.
- ◆ **CAPACITIES:**
  - Field selectable normally open or normally closed.
  - 500 mA switch capacity (10 mA minimum).
  - Operates on any voltage between 90 and 265 VAC, 45 to 65 Hz.
  - Ambient temperature range: 0°F (-18°C) to 176°F (80°C).
  - Single phase only.
- ◆ **OPTIONS AVAILABLE (consult factory):**
  - ESPV models available with heavy wall immersion tubes in: CPVC, PVDF, PTFE, and quartz for vertical mounting.
  - Custom length immersion tubes for ESPV models.
  - Can be pre-wired into combination temperature controls.
  - Longer flexible conduits for ESPV devices.
  - Threaded wells for through tank wall applications.

## DIMENSIONS



## ELECTRONIC TEMPERATURE INDICATOR ORDERING INFORMATION

| Series | Options                      | Vertical Tube Material                         | Vertical Tube Length (ESPV only)   |
|--------|------------------------------|--|------------------------------------|
| ESP    | V = mounted in vertical tube | C = CPVC<br>K = PVDF<br>X = PTFE<br>Q = quartz | specify in inches<br>Ex: -24 = 24" |

### ORDERING EXAMPLE:

ESP

Capacitive level switch, field switchable.

**PROCESS  
TECHNOLOGY**