

Band Heater Termination Options

Home
Products
Reps
Distributors
Stock
Overstock
About Us
Downloads

Fiberglass Leads

Marathon Heater, Inc.



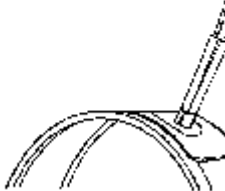

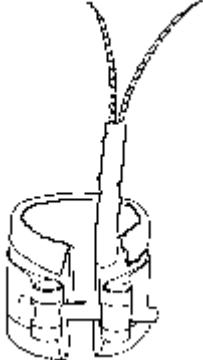
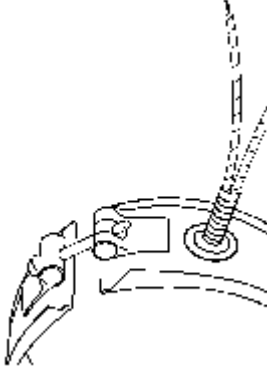
HCR #3 Box 86E
808 Hackberry Ln.
Del Rio, TX 78840
(830) 775-1417
fax: (830) 775-4379

sales@marathonheater.com


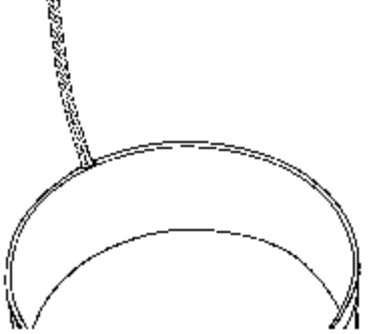


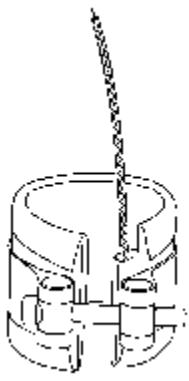
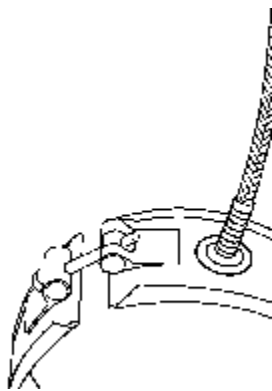
Copyright 2004

Today Heaters
Cartridge Htrs
Band Heaters
Strip Heaters
Coil Heaters
Air Heaters
Nozzle Heaters
Thermocouples
Temp Controls



Technical Library

| | | |
|--|---|---|
|  |  |  |
| Type L1 | Type L2 | Type L3 |
| <ul style="list-style-type: none"> Leads exiting both sides of gap. High temperature leads. Standard lead length is 10" | <ul style="list-style-type: none"> Leads exit 180° from gap 1.5" of sleeving on leads for additional protection | <ul style="list-style-type: none"> Leads exit straight side. Brass eyelet at exit provides additional protection. |
|  |  |  |
| Type L4 | Type L5 | Type L6 |
| <ul style="list-style-type: none"> Leads exit out of right angle cap. Exit can be located anywhere on heater sheath. | <ul style="list-style-type: none"> Lead wires on one side of the gap are available on any construction Common exit for small band heaters Standard gap is 0.300" | <ul style="list-style-type: none"> Stainless steel spr provides extra sup protecting leads fr bends |

Stainless Steel Braid

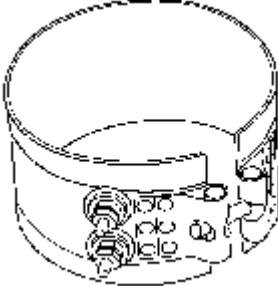
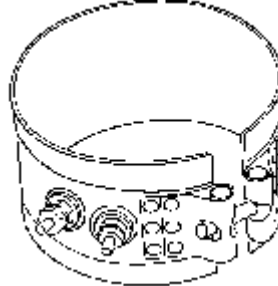
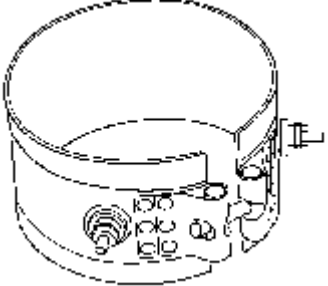
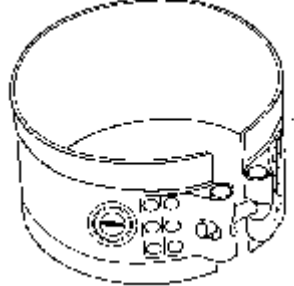
| | | |
|---|---|---|
|  |  |  |
| <p style="text-align: center;">Type B1</p> <ul style="list-style-type: none"> • Stainless Steel Braided leads exiting both sides of gap. • Stainless Steel Braid offers a combination of flexibility and abrasion resistance. • Standard lead length is 2" longer than braid length | <p style="text-align: center;">Type B2</p> <ul style="list-style-type: none"> • Stainless steel braid exiting 180° from gap | <p style="text-align: center;">Type B3</p> <ul style="list-style-type: none"> • Stainless steel braid exiting straight out the side • Brass eyelet at exit provides additional protection. |
|  |  |  |
| <p style="text-align: center;">Type B4</p> <ul style="list-style-type: none"> • Stainless steel braid exits out of right angle cap. • Exit can be located anywhere on heater sheath. | <p style="text-align: center;">Type B5</p> <ul style="list-style-type: none"> • Stainless steel braid exits out one side of gap • Standard gap is 0.300" | <p style="text-align: center;">Type B6</p> <ul style="list-style-type: none"> • Stainless steel braid exiting through spring guard |

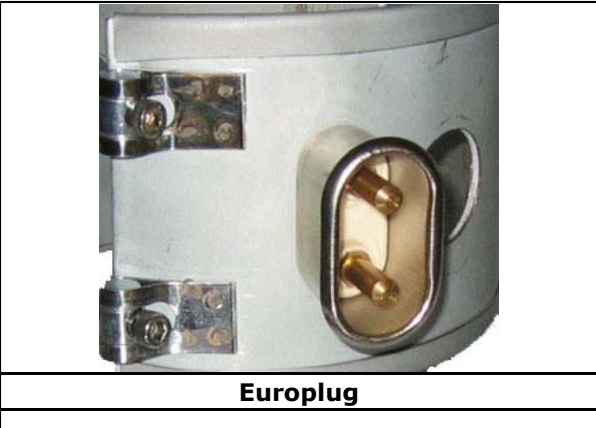
Stainless Steel Hose

| | |
|---|--|
|  |  |
| <p style="text-align: center;">Type C3</p> <ul style="list-style-type: none"> • Flexible stainless steel conduit offers the utmost in lead abrasion protection • Unless specified, the leads are 2" longer | <p style="text-align: center;">Type C4</p> <ul style="list-style-type: none"> • Flexible stainless steel conduit exiting through right angle cap |

- than the conduit.
- SS conduit is also known as armor cable or hose

Post Terminals

| | |
|--|--|
|  |  |
| <p style="text-align: center;">Type N1</p> <ul style="list-style-type: none"> • Post terminals in a vertical position • Unless otherwise specified, this is the standard location for post terminals • #10-32 screw thread | <p style="text-align: center;">Type N3</p> <ul style="list-style-type: none"> • Post terminals in parallel position • #10-32 screw thread |
|  |  |
| <p style="text-align: center;">Type N2</p> <ul style="list-style-type: none"> • Post terminals located on each side of the gap • This is the normal configuration for heaters less than 2" in diameter • #10-32 screw thread | <p style="text-align: center;">Type B2</p> <ul style="list-style-type: none"> • Button terminals may be ordered same position as N-1, N-2, or N-3 |



- Flexible Stainless Steel Conduit offers the utmost in lead abrasion protection
- Unless specified, the leads are 2" longer than the conduit.
- SS conduit is also known as armor cable or hose

[Home](#) -- [Products](#)
[Distributors--Representatives](#) -- [Stock](#)