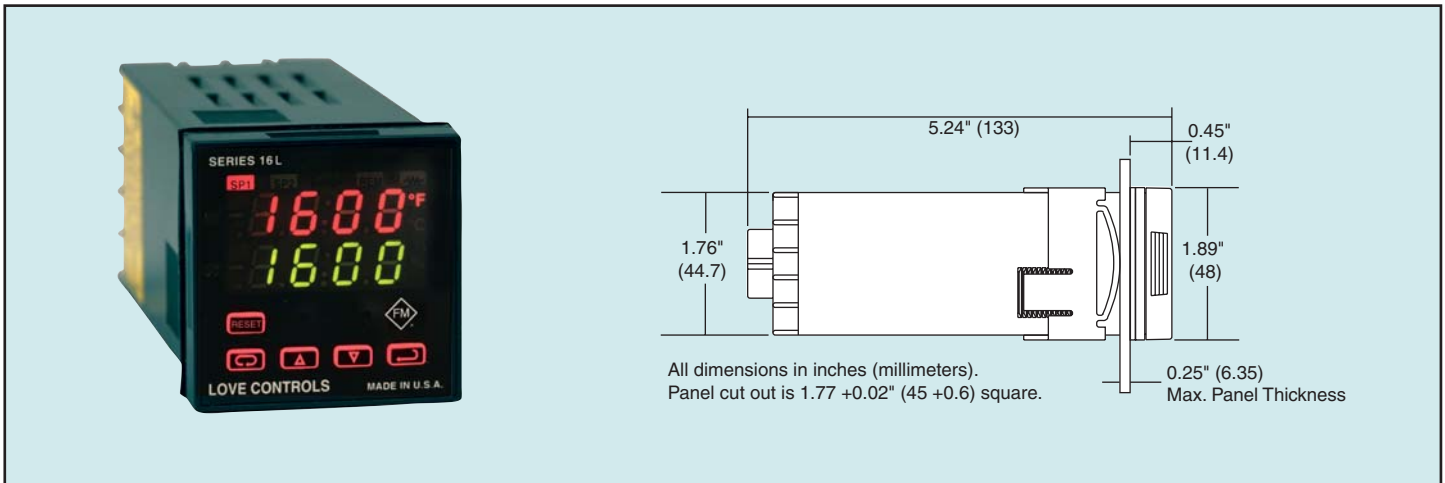
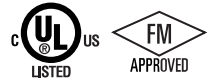




Series
16L

Limit Controls

FM Approved, Large, Dual Display, Universal Input



STANDARD FEATURES

- FM Approved Limit
- Large Dual Display
- Universal Input
- Dedicated, Illuminated Reset Key
- Remote Reset Capability Standard
- Four Password Protected Security Levels

The 16L Series Temperature/Process FM Approved Limit Controls set a new standard in 1/16 DIN Limit controls. The 16L offers universal input (10 thermocouple types, 4 RTD types, voltage, and current), single set point or dual set point. Standard features include Remote Reset capability, Peak/Valley indication, open sensor protection, input rate of change protection, and much more.

Unit offers 1500 VAC resolution, selectable high or low input, programmable sensor break protection and adjustable differential.

Outputs include normally open (form A) and normally closed (form B) relays. Form A and form B relays can be setup one for each set point output and logically linked to emulate a form C output.

Designed and built in the USA, the 16L family of controls offers the highest levels of features, function, and quality available today.

MODELS

Model No.	Output A	Output B
16L2030	N.O. Relays	None
16L2034	N.O. Relays	N.C. Relays

OPTIONS

934, Process Signal Output, PV or SV. Isolated 0 to 20 mA DC

SPECIFICATIONS

Selectable Inputs: 10 Thermocouple, 4 RTD, DC Voltage, or DC Current selectable.

Display: Two 4 digit, 7 segment 0.3" (7.62 mm) high LEDs.

Accuracy: ±0.25% of span, ±1 least significant digit.

Supply Voltage: 100 to 240 VAC, nominal, +10 -15%, 50 to 400 Hz. single phase; 132 to 240 VDC, nominal, +10 -20%.

Power Consumption: 5 VA maximum.

Operating Temperature: +14 to 131°F (-10 to +55°C).

Memory Backup: Nonvolatile memory. No batteries required.

Control Output Ratings: Relay: SPST, 3A @ 240 VAC resistive; 1.5A @ 240 VAC inductive.

Weight: 8 oz (227 g).

Agency Approvals: UL, FM.

Temperature