

# Automatic On/Off Thermostat Temperature Sensor (TD101N Series)

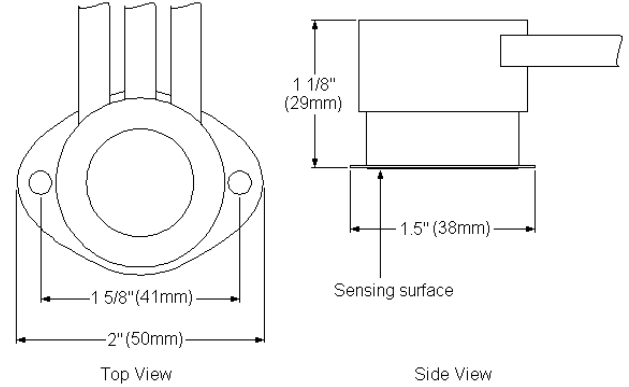


## Specifications:

- Rated: 25 Amps, up to 277VAC (UL)  
25 Amps, up to 240VAC (CSA)
- Maximum Exposure temperature 221°F (105°C)
- Surface mount
- Power leads 4 feet (1.2M) long

## Applications:

The BriskHeat® Automatic On/Off Thermostat Temperature Sensor (TD101N Series) is a Single Pole Double Throw thermostat, which uses a temperature sensitive bimetal disc in a hermetically sealed housing. The TD101N temperature sensor is used as a remote control thermostat for individual circuits requiring a weatherproof device; it is designed for temperature control on heat tracing and process fluid systems. The TD101N provides excellent control for freeze protection applications and can also be used as an external alarm or an over temperature limit switch in conjunction with other control systems.



## Approvals:



Part number	Volts	Amps	Settings	
			On °F (°C)	Off °F (°C)
TD101N-050	Up to 277	25	35 (2)	50 (10)
TD101N-060	Up to 277	25	45 (7)	60 (16)
TD101N-075	Up to 277	25	60 (16)	75 (24)
TD101N-105	Up to 277	25	90 (32)	105 (41)
TD101N-200	Up to 277	25	185 (85)	200 (93)

# Automatic On/Off Thermostat Temperature Sensor with Conduit Fitting (TD101X Series)

## Specifications:

- Rated: 25 Amps, up to 277VAC (UL)  
25 Amps, up to 240VAC (CSA)
- Maximum Exposure temperature 221°F (105°C)
- Surface mount
- Power leads 4 feet (1.2M) long

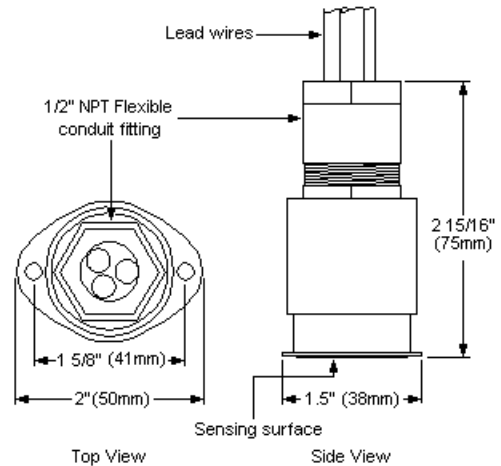
## Applications:

The BriskHeat® TD101X provides the same excellent control and versatility as the TD101N, but also provides the increased benefit of an integral 1/2" NPT flexible conduit fitting.

## Approvals:



- APPROVED  
Class I Division 2



Part number	Volts	Amps	Settings	
			On °F (°C)	Off °F (°C)
TD101X-050	Up to 277	25	35 (2)	50 (10)
TD101X-060	Up to 277	25	45 (7)	60 (16)
TD101X-075	Up to 277	25	60 (16)	75 (24)
TD101X-105	Up to 277	25	90 (32)	105 (41)
TD101X-200	Up to 277	25	185 (85)	200 (93)

Visit our web site at [www.briskheat.com](http://www.briskheat.com)

For More Information Call Toll Free 800-848-7673, Phone 614-294-3376, Fax 614-294-2672