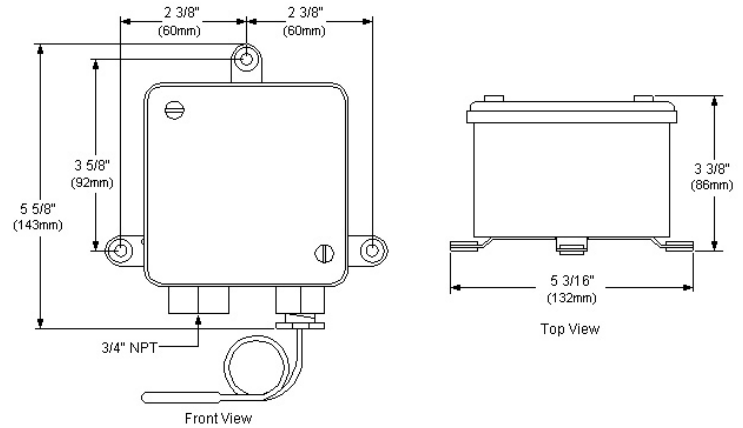


Specifications:

- Rated 22 Amps Up to 277VAC
- Differential 6°F (3.3°C)
- Enclosure rates NEMA 3R, for outdoor use
- Maximum controller exposure temperatures -40°F (-40°C) to 160°F (71°C)
- Tinned copper bulb and capillary, 10' (3M) long
- Single Pole Double Throw contacts

Applications:

BriskHeat® All-Purpose Bulb and Capillary Temperature Controllers (TB250N Series) are oil filled bulb and capillary temperature controllers used for individual circuit control where weatherproof enclosures are necessary. The TB250N controllers are designed to maintain the required temperatures in heat tracing systems, freeze protection systems, processing systems, moisture protection systems.



Part number	Volts	Amps	Range
TB250N-150	Up to 277	22	0-150°F ((-17)-66°C)
TB250N-250	Up to 277	22	100-250°F (38-121°C)
TB250N-350	Up to 277	22	200-350°F (93-177°C)

Bulb Dimensions

Part Number	Diameter		Length	
	Inches	mm	Inches	mm
TB250N-150	19/64	7.5	2 1/2	63.5
TB250N-250	19/64	7.5	2 1/2	63.5
TB250N-350	3/8	9.5	2 1/4	57.2

Accessories

Part number	Description
TB250N-2BW	1/2" NPT x 2.8" copper bulb well, for 150 & 250
TB250N-1BW	1/2" NPT x 2.3" copper bulb well, for 350

Approvals:

